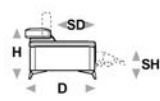









DOMI

Model Code E8923



W Width - H Height - D Depth - SH Seat Height - SD Seat Depth

							
<b>Dimensions</b>	W 172 H78 D108 SH45 SD55	W 192 H78 D108 SH45 SD55	W 212 H78 D108 SH45 SD55	W 226 H78 D108 SH45 SD55	W 144 H78 D108 SH45 SD55	W 144 H78 D108 SH45 SD55	W 164 H78 D108 SH45 SD55
<b>Version Code</b>	200	240	300	F82	210	220	251
<b>Weight - Volume *</b>	kg. 48 - m3. 1.5	kg. 55 - m3. 1.6	kg. 60 - m3. 1.8	kg. 60 - m3. 0.7	kg. 38 - m3. 1.2	kg. 38 - m3. 1.2	kg. 45 - m3. 1.4

## Leathers

category 1S	eur 2013	eur 2154	eur 2304	eur 2534	eur 1834	eur 1834	eur 1946
category 01	eur 2096	eur 2240	eur 2400	eur 2640	eur 1910	eur 1910	eur 2026
category 10	eur 2083	eur 2218	eur 2365	eur 2602	eur 1885	eur 1885	eur 2022
category 11	eur 2240	eur 2403	eur 2592	eur 2845	eur 2042	eur 2042	eur 2170
category 12	eur 2170	eur 2323	eur 2493	eur 2742	eur 1978	eur 1978	eur 2099
category 15	eur 2387	eur 2557	eur 2755	eur 3030	eur 2170	eur 2170	eur 2307
category 20	eur 2486	eur 2669	eur 2883	eur 3171	eur 2262	eur 2262	eur 2403
category 40	eur 2688	eur 2886	eur 3130	eur 3446	eur 2445	eur 2445	eur 2602
category	eur -	eur -	eur -	eur -	eur -	eur -	eur -
category	eur -	eur -	eur -	eur -	eur -	eur -	eur -
category	eur -	eur -	eur -	eur -	eur -	eur -	eur -
category	eur -	eur -	eur -	eur -	eur -	eur -	eur -
category	eur -	eur -	eur -	eur -	eur -	eur -	eur -
category	eur -	eur -	eur -	eur -	eur -	eur -	eur -
category	eur -	eur -	eur -	eur -	eur -	eur -	eur -
category	eur -	eur -	eur -	eur -	eur -	eur -	eur -
category	eur -	eur -	eur -	eur -	eur -	eur -	eur -
category	eur -	eur -	eur -	eur -	eur -	eur -	eur -
category	eur -	eur -	eur -	eur -	eur -	eur -	eur -
<b>square meters needed per version</b>	0 square meters	0 square meters	0 square meters	0 square meters	0 square meters	0 square meters	0 square meters
Customer's Leather	eur -	eur -	eur -	eur -	eur -	eur -	eur -

## Fabrics and Microfibers

category TA	eur 1536	eur 1619	eur 1677	eur 1840	eur 1392	eur 1392	eur 1459
category TB	eur 1619	eur 1702	eur 1763	eur 1942	eur 1459	eur 1459	eur 1530
category TC	eur 1709	eur 1802	eur 1862	eur 2051	eur 1533	eur 1533	eur 1610
category TD	eur 1802	eur 1894	eur 1955	eur 2154	eur 1606	eur 1606	eur 1683
category TF	eur 1907	eur 2006	eur 2074	eur 2282	eur 1699	eur 1699	eur 1782
category TE	eur 1584	eur 1674	eur 1725	eur 1901	eur 1427	eur 1427	eur 1498
category	eur -	eur -	eur -	eur -	eur -	eur -	eur -
category	eur -	eur -	eur -	eur -	eur -	eur -	eur -
category	eur -	eur -	eur -	eur -	eur -	eur -	eur -
category	eur -	eur -	eur -	eur -	eur -	eur -	eur -
category	eur -	eur -	eur -	eur -	eur -	eur -	eur -
category	eur -	eur -	eur -	eur -	eur -	eur -	eur -
<b>linear meters needed per version</b>	0 linear meters	0 linear meters	0 linear meters	0 linear meters	0 linear meters	0 linear meters	0 linear meters
Customer's Cover	eur -	eur -	eur -	eur -	eur -	eur -	eur -

- As for modular components, the side with no arms in dust cover will be subject to a price increase starting from 10% if chosen in another covering. This percentage must be agreed each time with the factory.

- (\*) With the reservation of carrying for production purposes and without advanced notices modifications on the materials, coverings and dimensions of the product as indicated in the relevant specification. The given dimensions and volume are of indicative value being subject to the production process tolerances.

- As for components having combinations of coverings, when a combination of fabric and leather from different grades is featured, the price reflects the highest grade.



W Width - H Height - D Depth - SH Seat Height - SD Seat Depth

<b>Dimensions</b>	<b>W 164</b> H78 D108 SH45 SD55	<b>W 184</b> H78 D108 SH45 SD55	<b>W 184</b> H78 D108 SH45 SD55	<b>W 204</b> H78 D108 SH45 SD55	<b>W 204</b> H78 D108 SH45 SD55	<b>W 59</b> H78 D108 SH45 SD55	<b>W 69</b> H78 D108 SH45 SD55
<b>Version Code</b>	<b>252</b>	<b>310</b>	<b>320</b>	<b>Q12</b>	<b>Q13</b>	<b>D62</b>	<b>130</b>
<b>Weight - Volume *</b>	kg. 45 - m3. 1.4	kg. 55 - m3. 1.6	kg. 55 - m3. 1.6	kg. 55 - m3. 1.7	kg. 55 - m3. 1.7	kg. 16 - m3. 0.5	kg. 16 - m3. 0.6

## Leathers

category 1S	eur 1946	eur 2000	eur 2000	eur 2202	eur 2202	eur 826	eur 794
category 01	eur 2026	eur 2170	eur 2170	eur 2390	eur 2390	eur 861	eur 826
category 10	eur 2022	eur 2134	eur 2134	eur 2349	eur 2349	eur 800	eur 835
category 11	eur 2170	eur 2339	eur 2339	eur 2570	eur 2570	eur 931	eur 883
category 12	eur 2099	eur 2253	eur 2253	eur 2477	eur 2477	eur 893	eur 858
category 15	eur 2307	eur 2486	eur 2486	eur 2736	eur 2736	eur 989	eur 938
category 20	eur 2403	eur 2602	eur 2602	eur 2864	eur 2864	eur 1037	eur 979
category 40	eur 2602	eur 2826	eur 2826	eur 3107	eur 3107	eur 1126	eur 1059
category	eur -	eur -	eur -	eur -	eur -	eur -	eur -
category	eur -	eur -	eur -	eur -	eur -	eur -	eur -
category	eur -	eur -	eur -	eur -	eur -	eur -	eur -
category	eur -	eur -	eur -	eur -	eur -	eur -	eur -
category	eur -	eur -	eur -	eur -	eur -	eur -	eur -
category	eur -	eur -	eur -	eur -	eur -	eur -	eur -
category	eur -	eur -	eur -	eur -	eur -	eur -	eur -
category	eur -	eur -	eur -	eur -	eur -	eur -	eur -
category	eur -	eur -	eur -	eur -	eur -	eur -	eur -
category	eur -	eur -	eur -	eur -	eur -	eur -	eur -
category	eur -	eur -	eur -	eur -	eur -	eur -	eur -
<b>square meters needed per version</b>	0 square meters	0 square meters	0 square meters	0 square meters	0 square meters	0 square meters	0 square meters
Customer's Leather	eur -	eur -	eur -	eur -	eur -	eur -	eur -

## Fabrics and Microfibers

category TA	eur 1459	eur 1514	eur 1514	eur 1670	eur 1670	eur 573	eur 592
category TB	eur 1530	eur 1597	eur 1597	eur 1754	eur 1754	eur 595	eur 621
category TC	eur 1610	eur 1683	eur 1683	eur 1850	eur 1850	eur 624	eur 656
category TD	eur 1683	eur 1770	eur 1770	eur 1949	eur 1949	eur 653	eur 685
category TF	eur 1782	eur 1878	eur 1878	eur 2067	eur 2067	eur 691	eur 726
category TE	eur 1498	eur 1562	eur 1562	eur 1718	eur 1718	eur 586	eur 611
category	eur -	eur -	eur -	eur -	eur -	eur -	eur -
category	eur -	eur -	eur -	eur -	eur -	eur -	eur -
category	eur -	eur -	eur -	eur -	eur -	eur -	eur -
category	eur -	eur -	eur -	eur -	eur -	eur -	eur -
category	eur -	eur -	eur -	eur -	eur -	eur -	eur -
category	eur -	eur -	eur -	eur -	eur -	eur -	eur -
<b>linear meters needed per version</b>	0 linear meters	0 linear meters	0 linear meters	0 linear meters	0 linear meters	0 linear meters	0 linear meters
Customer's Cover	eur -	eur -	eur -	eur -	eur -	eur -	eur -

- As for modular components, the side with no arms in dust cover will be subject to a price increase starting from 10% if chosen in another covering. This percentage must be agreed each time with the factory.

- (\*) With the reservation of carrying for production purposes and without advanced notices modifications on the materials, coverings and dimensions of the product as indicated in the relevant specification. The given dimensions and volume are of indicative value being subject to the production process tolerances.

- As for components having combinations of coverings, when a combination of fabric and leather from different grades is featured, the price reflects the highest grade.



W Width - H Height - D Depth - SH Seat Height - SD Seat Depth

<p><b>Dimensions</b></p>	<p>W 79</p>	<p>W 89</p>	<p>W 96</p>	<p>W 96</p>	<p>W 106</p>	<p>W 106</p>	<p>W 108</p>
	H78 DI08 SH45 SD55	H78 DI08 SH45 SD55	H78 DI68 SH45 SD115	H78 DI68 SH45 SD115	H78 DI68 SH45 SD115	H78 DI68 SH45 SD115	H78 DI08 SH45 SD115
<b>Version Code</b>	<b>144</b>	<b>P09</b>	<b>410</b>	<b>420</b>	<b>601</b>	<b>602</b>	<b>O40</b>
<b>Weight - Volume *</b>	kg. 20 - m3. 0.7	kg. 20 - m3. 0.8	kg. 48 - m3. 1.3	kg. 48 - m3. 1.3	kg. 51 - m3. 1.4	kg. 51 - m3. 1.4	kg. 31 - m3. 0.9

## Leathers

category 1S	eur 864	eur 947	eur 1514	eur 1514	eur 1664	eur 1664	eur 1245
category 01	eur 899	eur 989	eur 1574	eur 1574	eur 1734	eur 1734	eur 1290
category 10	eur 890	eur 979	eur 1562	eur 1562	eur 1722	eur 1722	eur 1286
category 11	eur 966	eur 1062	eur 1683	eur 1683	eur 1853	eur 1853	eur 1392
category 12	eur 934	eur 1027	eur 1632	eur 1632	eur 1798	eur 1798	eur 1344
category 15	eur 1030	eur 1133	eur 1789	eur 1789	eur 1965	eur 1965	eur 1478
category 20	eur 1078	eur 1187	eur 1862	eur 1862	eur 2045	eur 2045	eur 1546
category 40	eur 1171	eur 1286	eur 2006	eur 2006	eur 2208	eur 2208	eur 1677
category	eur -	eur -	eur -	eur -	eur -	eur -	eur -
category	eur -	eur -	eur -	eur -	eur -	eur -	eur -
category	eur -	eur -	eur -	eur -	eur -	eur -	eur -
category	eur -	eur -	eur -	eur -	eur -	eur -	eur -
category	eur -	eur -	eur -	eur -	eur -	eur -	eur -
category	eur -	eur -	eur -	eur -	eur -	eur -	eur -
category	eur -	eur -	eur -	eur -	eur -	eur -	eur -
category	eur -	eur -	eur -	eur -	eur -	eur -	eur -
<b>square meters needed per version</b>	0 square meters	0 square meters	0 square meters	0 square meters	0 square meters	0 square meters	0 square meters
Customer's Leather	eur -	eur -	eur -	eur -	eur -	eur -	eur -

## Fabrics and Microfibers

category TA	eur 630	eur 691	eur 1178	eur 1178	eur 1293	eur 1293	eur 963
category TB	eur 662	eur 730	eur 1238	eur 1238	eur 1363	eur 1363	eur 1034
category TC	eur 698	eur 768	eur 1306	eur 1306	eur 1437	eur 1437	eur 1110
category TD	eur 733	eur 806	eur 1370	eur 1370	eur 1507	eur 1507	eur 1181
category TF	eur 781	eur 858	eur 1456	eur 1456	eur 1600	eur 1600	eur 1251
category TE	eur 653	eur 720	eur 1210	eur 1210	eur 1331	eur 1331	eur 1005
category	eur -	eur -	eur -	eur -	eur -	eur -	eur -
category	eur -	eur -	eur -	eur -	eur -	eur -	eur -
category	eur -	eur -	eur -	eur -	eur -	eur -	eur -
category	eur -	eur -	eur -	eur -	eur -	eur -	eur -
category	eur -	eur -	eur -	eur -	eur -	eur -	eur -
<b>linear meters needed per version</b>	0 linear meters	0 linear meters	0 linear meters	0 linear meters	0 linear meters	0 linear meters	0 linear meters
Customer's Cover	eur -	eur -	eur -	eur -	eur -	eur -	eur -

- As for modular components, the side with no arms in dust cover will be subject to a price increase starting from 10% if chosen in another covering. This percentage must be agreed each time with the factory.

- (\*) With the reservation of carrying for production purposes and without advanced notices modifications on the materials, coverings and dimensions of the product as indicated in the relevant specification. The given dimensions and volume are of indicative value being subject to the production process tolerances.

- As for components having combinations of coverings, when a combination of fabric and leather from different grades is featured, the price reflects the highest grade.



W Width - H Height - D Depth - SH Seat Height - SD Seat Depth

<b>Dimensions</b>	W 227 H78 D108 SH45 SD55	W 227 H78 D108 SH45 SD55	W 86 H78 D108 SH45 SD55	W 86 H78 D108 SH45 SD55	W 96 H78 D108 SH45 SD55	W 96 H78 D108 SH45 SD55	W 106 H78 D108 SH45 SD55
<b>Version Code</b>	<b>043</b>	<b>044</b>	<b>C36</b>	<b>C37</b>	<b>173</b>	<b>174</b>	<b>612</b>
<b>Weight - Volume *</b>	kg. 70 - m3. 1.9	kg. 70 - m3. 1.9	kg. 36 - m3. 0.7	kg. 36 - m3. 0.7	kg. 40 - m3. 0.8	kg. 40 - m3. 0.8	kg. 50 - m3. 0.9

## Leathers

category 1S	eur 2176	eur 2176	eur 1747	eur 1747	eur 1811	eur 1811	eur 1891
category 01	eur 2272	eur 2272	eur 1786	eur 1786	eur 1859	eur 1859	eur 1936
category 10	eur 2266	eur 2266	eur 1776	eur 1776	eur 1850	eur 1850	eur 1920
category 11	eur 2438	eur 2438	eur 1859	eur 1859	eur 1936	eur 1936	eur 2032
category 12	eur 2355	eur 2355	eur 1824	eur 1824	eur 1901	eur 1901	eur 1987
category 15	eur 2595	eur 2595	eur 1930	eur 1930	eur 2016	eur 2016	eur 2118
category 20	eur 2707	eur 2707	eur 1984	eur 1984	eur 2070	eur 2070	eur 2176
category 40	eur 2941	eur 2941	eur 2083	eur 2083	eur 2179	eur 2179	eur 2304
category	eur -	eur -	eur -	eur -	eur -	eur -	eur -
category	eur -	eur -	eur -	eur -	eur -	eur -	eur -
category	eur -	eur -	eur -	eur -	eur -	eur -	eur -
category	eur -	eur -	eur -	eur -	eur -	eur -	eur -
category	eur -	eur -	eur -	eur -	eur -	eur -	eur -
category	eur -	eur -	eur -	eur -	eur -	eur -	eur -
category	eur -	eur -	eur -	eur -	eur -	eur -	eur -
category	eur -	eur -	eur -	eur -	eur -	eur -	eur -
category	eur -	eur -	eur -	eur -	eur -	eur -	eur -
category	eur -	eur -	eur -	eur -	eur -	eur -	eur -
<b>square meters needed per version</b>	0 square meters	0 square meters	0 square meters	0 square meters	0 square meters	0 square meters	0 square meters
Customer's Leather	eur -	eur -	eur -	eur -	eur -	eur -	eur -

## Fabrics and Microfibers

category TA	eur 1693	eur 1693	eur 1501	eur 1501	eur 1549	eur 1549	eur 1571
category TB	eur 1811	eur 1811	eur 1549	eur 1549	eur 1590	eur 1590	eur 1619
category TC	eur 1942	eur 1942	eur 1597	eur 1597	eur 1635	eur 1635	eur 1674
category TD	eur 2067	eur 2067	eur 1635	eur 1635	eur 1686	eur 1686	eur 1715
category TF	eur 2192	eur 2192	eur 1738	eur 1738	eur 1786	eur 1786	eur 1821
category TE	eur 1763	eur 1763	eur 1533	eur 1533	eur 1571	eur 1571	eur 1603
category	eur -	eur -	eur -	eur -	eur -	eur -	eur -
category	eur -	eur -	eur -	eur -	eur -	eur -	eur -
category	eur -	eur -	eur -	eur -	eur -	eur -	eur -
category	eur -	eur -	eur -	eur -	eur -	eur -	eur -
category	eur -	eur -	eur -	eur -	eur -	eur -	eur -
<b>linear meters needed per version</b>	0 linear meters	0 linear meters	0 linear meters	0 linear meters	0 linear meters	0 linear meters	0 linear meters
Customer's Cover	eur -	eur -	eur -	eur -	eur -	eur -	eur -

- As for modular components, the side with no arms in dust cover will be subject to a price increase starting from 10% if chosen in another covering. This percentage must be agreed each time with the factory.

- (\*) With the reservation of carrying for production purposes and without advanced notices modifications on the materials, coverings and dimensions of the product as indicated in the relevant specification. The given dimensions and volume are of indicative value being subject to the production process tolerances.

- As for components having combinations of coverings, when a combination of fabric and leather from different grades is featured, the price reflects the highest grade.





W Width - H Height - D Depth - SH Seat Height - SD Seat Depth

Dimensions	W 0 H 0 D 0 SH 0 SD 0	W 0 H 0 D 0 SH 0 SD 0	W 0 H 0 D 0 SH 0 SD 0	W 0 H 0 D 0 SH 0 SD 0	W 0 H 0 D 0 SH 0 SD 0	W 0 H 0 D 0 SH 0 SD 0	W 0 H 0 D 0 SH 0 SD 0
Version Code	Y01	Y03	Y38	Y30	Y31	Y32	Y33
Weight - Volume *	kg. 0 - m3. 0	kg. 0 - m3. 0	kg. 0 - m3. 0	kg. 0 - m3. 0	kg. 0 - m3. 0	kg. 0 - m3. 0	kg. 0 - m3. 0

## Leathers

category 1S	eur 3622	eur 3782	eur 4006	eur 2573	eur 2573	eur 2605	eur 2605
category 01	eur 3718	eur 3872	eur 4115	eur 2646	eur 2646	eur 2685	eur 2685
category 10	eur 3699	eur 3840	eur 4077	eur 2576	eur 2576	eur 2685	eur 2685
category 11	eur 3872	eur 4064	eur 4320	eur 2790	eur 2790	eur 2819	eur 2819
category 12	eur 3802	eur 3974	eur 4211	eur 2717	eur 2717	eur 2758	eur 2758
category 15	eur 4032	eur 4237	eur 4506	eur 2918	eur 2918	eur 2954	eur 2954
category 20	eur 4141	eur 4352	eur 4646	eur 3021	eur 3021	eur 3050	eur 3050
category 40	eur 4358	eur 4608	eur 4922	eur 3210	eur 3210	eur 3238	eur 3238
category	eur -	eur -	eur -	eur -	eur -	eur -	eur -
category	eur -	eur -	eur -	eur -	eur -	eur -	eur -
category	eur -	eur -	eur -	eur -	eur -	eur -	eur -
category	eur -	eur -	eur -	eur -	eur -	eur -	eur -
category	eur -	eur -	eur -	eur -	eur -	eur -	eur -
category	eur -	eur -	eur -	eur -	eur -	eur -	eur -
category	eur -	eur -	eur -	eur -	eur -	eur -	eur -
category	eur -	eur -	eur -	eur -	eur -	eur -	eur -
category	eur -	eur -	eur -	eur -	eur -	eur -	eur -
category	eur -	eur -	eur -	eur -	eur -	eur -	eur -
square meters needed per version	0 square meters	0 square meters	0 square meters	0 square meters	0 square meters	0 square meters	0 square meters
Customer's Leather	eur -	eur -	eur -	eur -	eur -	eur -	eur -

## Fabrics and Microfibers

category TA	eur 3098	eur 3142	eur 3322	eur 2074	eur 2074	eur 2141	eur 2141
category TB	eur 3181	eur 3238	eur 3411	eur 2144	eur 2144	eur 2211	eur 2211
category TC	eur 3270	eur 3347	eur 3526	eur 2221	eur 2221	eur 2291	eur 2291
category TD	eur 3373	eur 3430	eur 3622	eur 2288	eur 2288	eur 2371	eur 2371
category TF	eur 3571	eur 3642	eur 3840	eur 2429	eur 2429	eur 2512	eur 2512
category TE	eur 3142	eur 3206	eur 3373	eur 2118	eur 2118	eur 2182	eur 2182
category	eur -	eur -	eur -	eur -	eur -	eur -	eur -
category	eur -	eur -	eur -	eur -	eur -	eur -	eur -
category	eur -	eur -	eur -	eur -	eur -	eur -	eur -
category	eur -	eur -	eur -	eur -	eur -	eur -	eur -
category	eur -	eur -	eur -	eur -	eur -	eur -	eur -
linear meters needed per version	0 linear meters	0 linear meters	0 linear meters	0 linear meters	0 linear meters	0 linear meters	0 linear meters
Customer's Cover	eur -	eur -	eur -	eur -	eur -	eur -	eur -

- As for modular components, the side with no arms in dust cover will be subject to a price increase starting from 10% if chosen in another covering. This percentage must be agreed each time with the factory.

- (\*) With the reservation of carrying for production purposes and without advanced notices modifications on the materials, coverings and dimensions of the product as indicated in the relevant specification. The given dimensions and volume are of indicative value being subject to the production process tolerances.

- As for components having combinations of coverings, when a combination of fabric and leather from different grades is featured, the price reflects the highest grade.



W Width - H Height - D Depth - SH Seat Height - SD Seat Depth

<p>Dimensions</p>	<p>W 0 H 0 D 0 SH 0 SD 0</p>	<p>W 0 H 0 D 0 SH 0 SD 0</p>	<p>W 0 H 0 D 0 SH 0 SD 0</p>	<p>W 0 H 0 D 0 SH 0 SD 0</p>			
	Version Code	Y34	Y35	Y36	Y37		
Weight - Volume *	kg. 0 - m3. 0	kg. 0 - m3. 0	kg. 0 - m3. 0	kg. 0 - m3. 0			

## Leathers

category 1S	eur 2755	eur 2755	eur 2950	eur 2950			
category 01	eur 2835	eur 2835	eur 3046	eur 3046			
category 10	eur 2810	eur 2810	eur 3018	eur 3018			
category 11	eur 2998	eur 2998	eur 3222	eur 3222			
category 12	eur 2922	eur 2922	eur 3133	eur 3133			
category 15	eur 3149	eur 3149	eur 3386	eur 3386			
category 20	eur 3254	eur 3254	eur 3510	eur 3510			
category 40	eur 3475	eur 3475	eur 3747	eur 3747			
category	eur -	eur -	eur -	eur -			
category	eur -	eur -	eur -	eur -			
category	eur -	eur -	eur -	eur -			
category	eur -	eur -	eur -	eur -			
category	eur -	eur -	eur -	eur -			
category	eur -	eur -	eur -	eur -			
category	eur -	eur -	eur -	eur -			
category	eur -	eur -	eur -	eur -			
square meters needed per version	0 square meters	0 square meters	0 square meters	0 square meters			
Customer's Leather	eur -	eur -	eur -	eur -			

## Fabrics and Microfibers

category TA	eur 2202	eur 2202	eur 2352	eur 2352			
category TB	eur 2282	eur 2282	eur 2435	eur 2435			
category TC	eur 2371	eur 2371	eur 2531	eur 2531			
category TD	eur 2448	eur 2448	eur 2618	eur 2618			
category TF	eur 2602	eur 2602	eur 2778	eur 2778			
category TE	eur 2256	eur 2256	eur 2406	eur 2406			
category	eur -	eur -	eur -	eur -			
category	eur -	eur -	eur -	eur -			
category	eur -	eur -	eur -	eur -			
category	eur -	eur -	eur -	eur -			
category	eur -	eur -	eur -	eur -			
linear meters needed per version	0 linear meters	0 linear meters	0 linear meters	0 linear meters			
Customer's Cover	eur -	eur -	eur -	eur -			

- As for modular components, the side with no arms in dust cover will be subject to a price increase starting from 10% if chosen in another covering. This percentage must be agreed each time with the factory.

- (\*) With the reservation of carrying for production purposes and without advanced notices modifications on the materials, coverings and dimensions of the product as indicated in the relevant specification. The given dimensions and volume are of indicative value being subject to the production process tolerances.

- As for components having combinations of coverings, when a combination of fabric and leather from different grades is featured, the price reflects the highest grade.